

**AXOR Universal Softsquare  
Soap Dispenser with Shelf**  
Finishes : Part no. : **42819000**



### Features

- Material container: Glass
- Type of soap: liquid soap
- 6 oz. capacity
- With mounting material

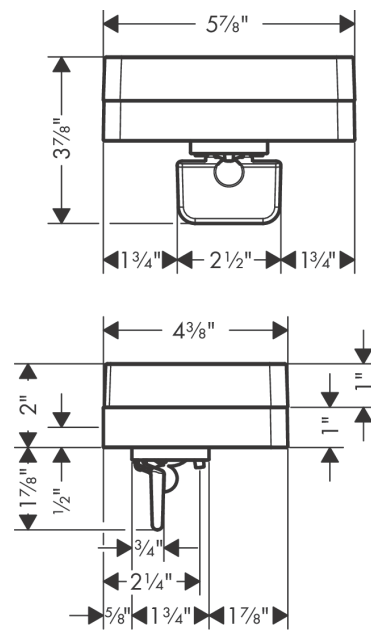
### Item details

List Price \$ 450.00

### Product image



### Scale drawing

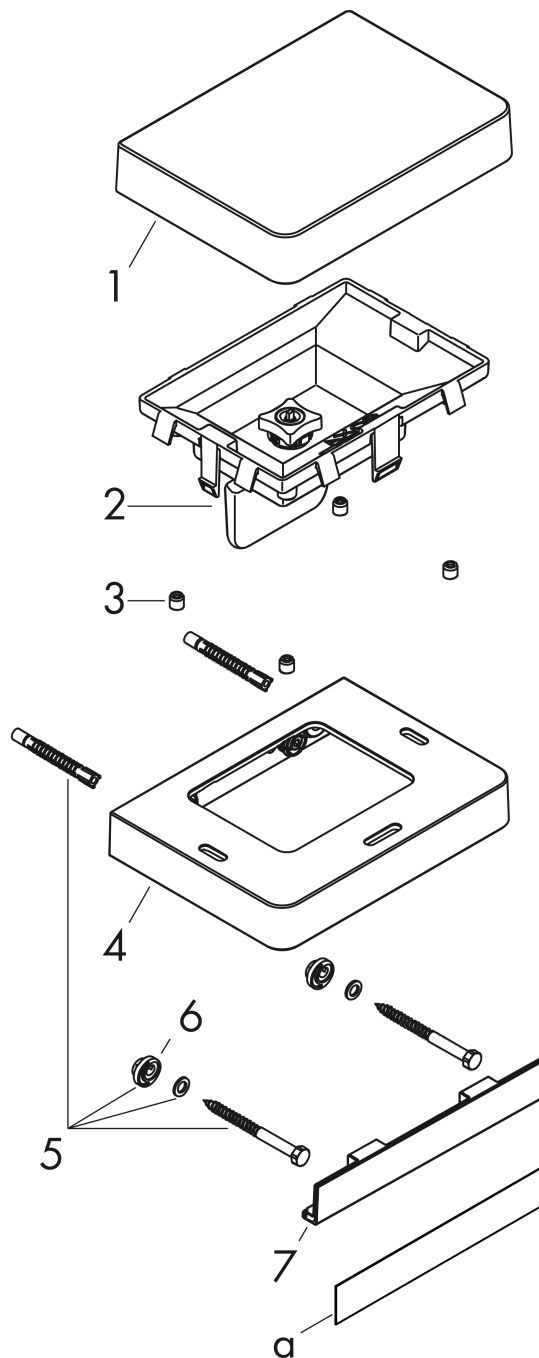


**AXOR Universal Softsquare  
Soap Dispenser with Shelf**  
Finishes : Part no. : **42819000**



## Exploded drawing

Year of production: >06/15



**AXOR Universal Softsquare  
Soap Dispenser with Shelf**  
Finishes : Part no. : **42819000**



## Spare parts list

Year of production: >06/15

Pos.		Part no.	Price	PU
1	cover	92428000	-	1
2	pump	93321000	-	1
3	screw cover	96762000	-	1
4	support element	92425000	-	1
5	mounting set	92841000	-	1
6	excentric socket	97604000	-	1
7	cover	92427000	-	1
a	cover	42890000	-	1
b	set of adapters	42870000	-	1
c	mounting kit for two-sided glass montage	42841000	-	1